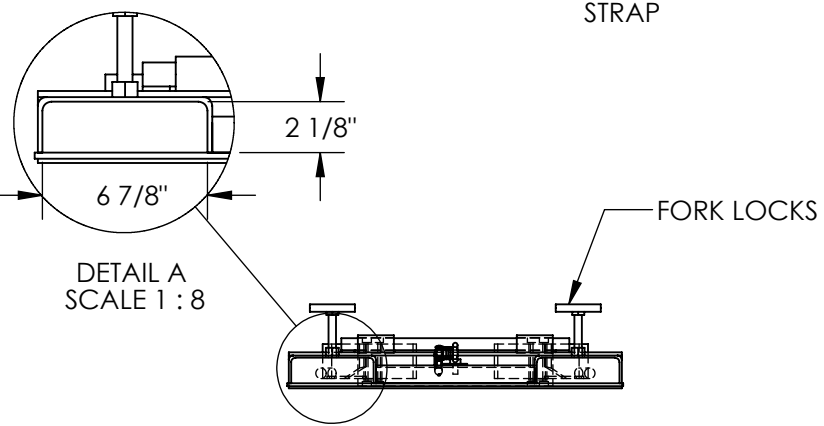
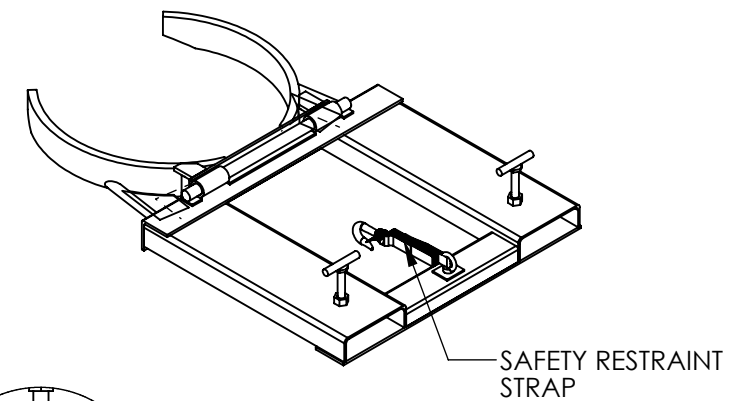
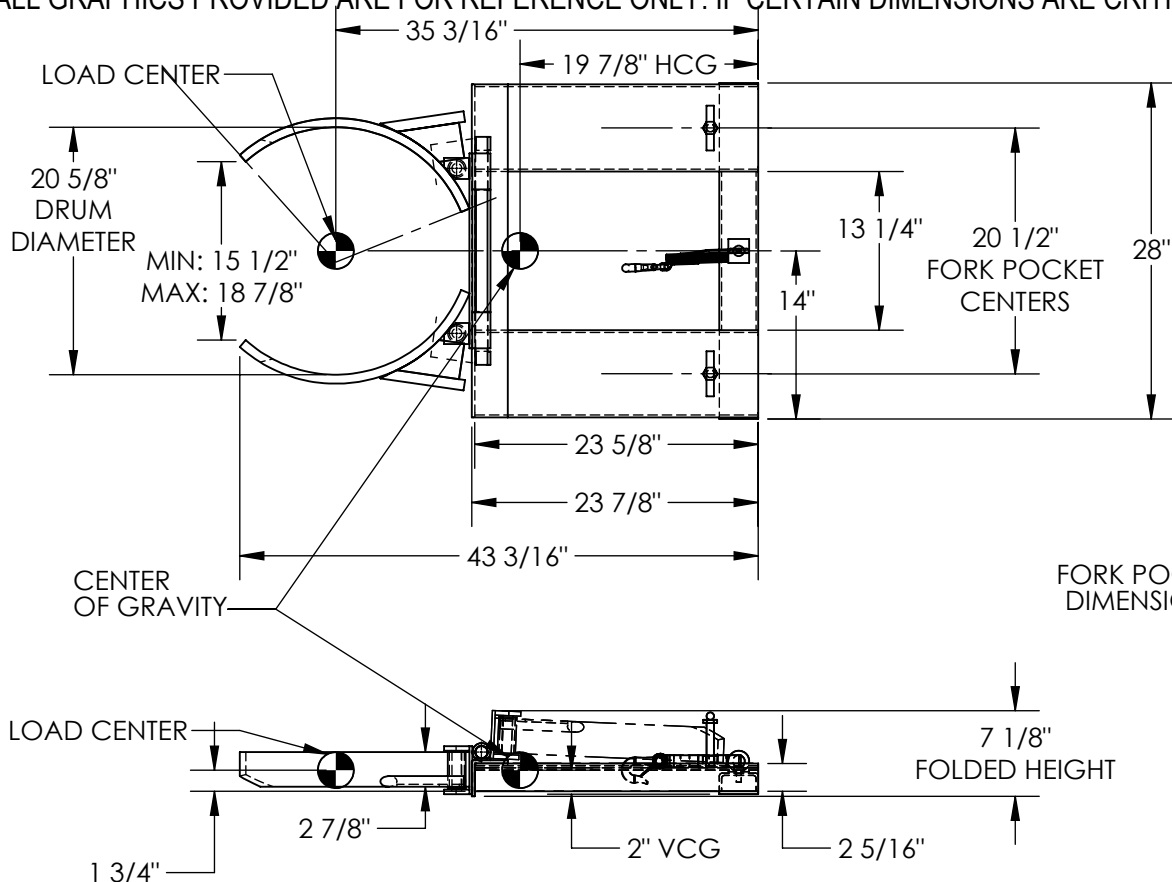


# DRUM GRIPPERS - DGS-55-D

APPROX WEIGHT: 99.02 lbs.  
DOES NOT INCLUDE WEIGHT OF POWER OR PACKAGING!!!

\*\*\* ANY ADDITIONS, DELETIONS, OR OMISSIONS MUST BE CORRECTED ON THIS DRAWING AS THIS DRAWING WILL BE CONSIDERED ALL INCLUSIVE \*\*\*

ALL GRAPHICS PROVIDED ARE FOR REFERENCE ONLY. IF CERTAIN DIMENSIONS ARE CRITICAL PLEASE VERIFY THOSE DIMENSIONS WITH YOUR SALESPERSON



DIMENSION TOLERANCE ± 1/2"

**STANDARD FEATURES**  
 MODEL NUMBER IS DGS-55-D  
 OVERALL WIDTH IS 28"  
 USABLE WIDTH MIN: 15 1/2"  
 MAX: 18 7/8"  
 OVERALL LENGTH IS 43 3/16"  
 USABLE LENGTH IS 23 5/8"  
 FOLDED HEIGHT IS 7 1/8"  
 MAX UNIFORM CAPACITY IS 1,500 LBS.  
 FORK POCKET DIMENSIONS: 7 1/8" x 2 1/16" x 23 5/8"  
 TOUGH BAKED IN POWDER COATED YELLOW

APPROX. WEIGHT/ LOST LOAD= 99 LBS. (APPROX)  
 MINIMUM EFFECTIVE THICKNESS= FORK LENGTH MINUS 23 5/8"  
 NEVER EXCEED LOAD CENTER RATING PER FORK TRUCK MANUFACTURER'S GUIDELINES.  
 DO NOT USE THIS FORK TRUCK ATTACHMENT IF LOAD WILL EXCEED FORK TRUCK MANUFACTURER'S LOAD CENTER RATING.

**SPECIAL FEATURES**  
 NONE

**APPROVAL**

I, THE UNDERSIGNED, AGREE THAT THE PRODUCT AS REPRESENTED SATISFIES DESIGN AND DIMENSION REQUIREMENTS. I ALSO ACKNOWLEDGE MY DUTY TO CONFIRM PRODUCT AND INSTALLATION COMPLIANCE WITH ALL APPLICABLE FEDERAL, STATE AND LOCAL REGULATIONS AND STANDARDS.

**UNITS REQUIRING APPROVAL DRAWINGS OR MODIFIED ARE NON-RETURNABLE**

[ ] As drawn [ ] As marked

Signed: \_\_\_\_\_ Date: \_\_\_\_\_

Printed Name: \_\_\_\_\_

LEAD TIME WILL START UPON RECEIPT OF SIGNED APPROVAL DRAWING

DISTRIBUTOR'S NAME:		P.O.#
VESTIL MANUFACTURING		X
DRAWN BY: KJY		W.O.#
DATE: 06/22/12		X
REFERENCE: X	SCALE: 1:16	SALES: X
QUOTED LEAD TIME: X	QUOTE #	FILE NAME:
	X	09-007-172